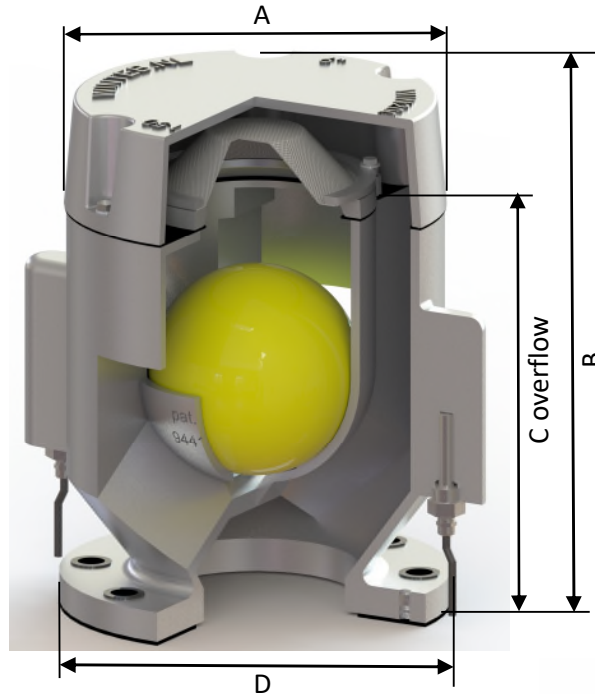


The world's largest producer of seawater resistant aluminium air pipe heads
Innovative and high quality products

WIN2000 HIAS HEATED AIR PIPE HEAD

Face the cold with Winteb's heated Air Pipe Heads



Options:

1. Closing device*
2. Screen*
3. Threaded connection (BSP/NPT)
only for aluminium pipes
4. Victaulic connection
5. Small flange connection
6. Powder (epoxy) coating
7. Sounding pipe

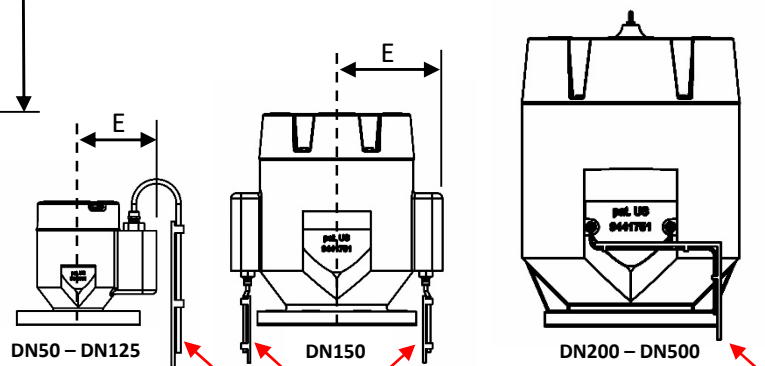
Also available in an Ex-Proof version

*Either option 1 or 2

(Closing device or screen)

- HFO: Winteb strongly advises to use VITON Gaskets for HFO tanks & Bunker stations with temperatures exceeding +60°C

- Winteb advises to not use a screen on Ballast tanks unless required by class



- Electrical grounding has to be ensured by assembly.
- Avoid any tensile loads on the cables for this type of application
- Support of the cables is advised

	DN50 (2")	DN65 (2 1/2")	DN80 (3")	DN100 (4")	DN125 (5")	DN150 (6")	DN175 (7")	DN200 (8")	DN250 (10")	DN300 (12")	DN350 (14")	DN400 (16")	DN450 (18")	DN500 (20")
A (mm)	Ø110	Ø130	Ø160	Ø195	Ø236	Ø275	Ø275	Ø340	Ø417	Ø562	Ø642	Ø722	Ø740	Ø887
B ±2.5 (mm)	170	200	230	275	319	383	383	480	595	747	876	977	1146	1186
C (with screen) (mm)	147	180	194	238	273	323	323	397	495	620	705	779	960	903
D	Flange connection according to any standard													
E (mm)	105	115	130	150	173	190	190	-	-	-	-	-	-	-
Ball diameter (mm)	Ø60	Ø75	Ø90	Ø105	Ø130	Ø155	Ø155	Ø200	Ø250	Ø325	Ø360	Ø400	Ø480	Ø530
Weight (kg)	2.75	3.5	4.5	8	10	15	16	22	34	69	91	116	138	183
Power (w)	97	97	97	97	97	194	194	194	388	388	388	388	388	388
Flow rate at 0,25 bar(m3/h)**	19	28	46	73	114	182	210	325	469	850	1025	1300	1490	2150
Flow rate at 0,25 bar(m3/h)***	18	25	42	68	101	169	195	279	443	805	925	1175	1375	1925
Max. inlet air speed (m/s)	17	17.5	38	58	59	42	42	27	15	39	36	27	34	29

** Please note that these values correspond with the WIN2000 HIAS without screen, flowrate is with water being pumped through the air pipe head.

***Please note that these values correspond with the WIN2000 HIAS with screen mesh 18, flowrate is with water being pumped through the air pipe head.

This information is not to be considered exhaustive. The content of this publication is of general and informative nature and is not meant as (technical) advice for product or usage purposes. No rights are to be derived from this information.

Made of seawater resistant Aluminium EN1706/DIN1725 | Non corroding | Maintenance free | Smallest design available
Cost saving | light weight = less fuel = less CO2 emission | Approved by all major classification societies

The world's largest producer of seawater resistant aluminium air pipe heads
Innovative and high quality products

WIN2000 HIAS HEATED AIR PIPE HEAD

Face the cold with Winteb's heated Air Pipe Heads



WIN2000 HIAS Heated



WIN2000 HIAS EX-proof Heated

Marking Heating element:

- II 2G Ex db IIC T3
- II 2D Ex tb IIIC T200°C

Other T-class options available

Marking Housing:

- II 2G Ex h IIB T6 Gb

Pos.	Description	Material	DN50 (2")	DN65 (2.5")	DN80 (3")	DN100 (4")	DN125 (5")	DN150 (6")	DN175 (7")	DN200 (8")	DN250 (10")	DN300 (12")	DN350 (14")	DN400 (16")	DN450 (18")	DN500 (20")
1	Standard heating elements	Stainless Steel	H.11-75-97 (1x)	H.11-75-97 (1x)	H.11-75-97 (1x)	H.11-75-97 (1x)	H.11-75-97 (1x)	H.11-75-97 (2x)	H.11-75-97 (2x)	H.11-75-97 (2x)	H.11-75-97 (4x)	H.11-75-97 (4x)	H.11-75-97 (4x)	H.11-75-97 (4x)	H.11-75-97 (4x)	H.11-75-97 (4x)
2	EX-proof heating elements	Seawater Res. Al	H.EX-25-105-80 (1x)	H.EX-25-105-80 (1x)	H.EX-25-105-80 (1x)	H.EX-25-155-120(1x)	H.EX-25-155-120(1x)	H.EX-25-155-120(2x)	H.EX-25-155-120(2x)	H.EX-25-105-80 (2x)	H.EX-25-105-80 (2x)	H.EX-25-155-120(2x)	H.EX-25-155-120(2x)	H.EX-25-155-120(2x)	H.EX-25-155-120(2x)	H.EX-25-225-150(2x)

Information heating elements see:

- Winteb Heating Cartridges for Winteb Heated Air vent Heads.
- Winteb EX_Proof Heating Element H1760378_SL CylTherm D.A
- Operating instructions Winteb EX-proof heating element H1760378_SL Cyltherm D.A series

- Electrical grounding has to be ensured by assembly.
- Avoid any tensile loads on the cables for this type of application
- Support of the cable is advised

This information is not to be considered exhaustive. The content of this publication is of general and informative nature and is not meant as (technical) advice for product or usage purposes. No rights are to be derived from this information.

Investing in Winteb Air Pipe Heads is beneficial in the long term, saving maintenance, replacement and costs.
For more information and a complete overview of our product range, please check www.winteb.com