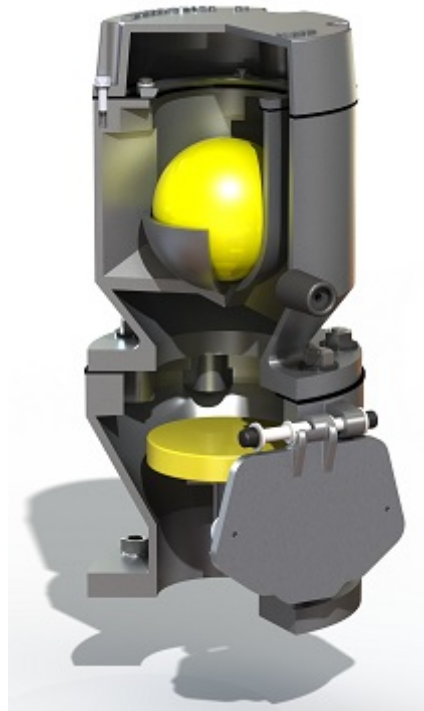


The world's largest producer of seawater resistant aluminium air pipe heads
Innovative and high quality products

LIQUID MUD VALVE



NEW: LIQUID MUD VALVE (LMV) WITH DE-ICING SYSTEM

Face the cold with Winteb's heated Air Pipe Heads.

Photo 1: Heated LMV



Photo 2: Heated LMV Valve in closed position

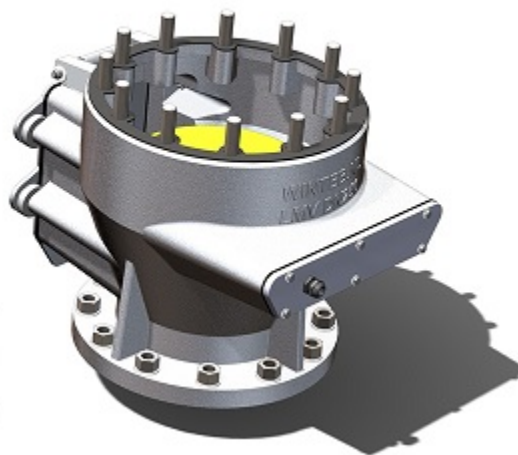
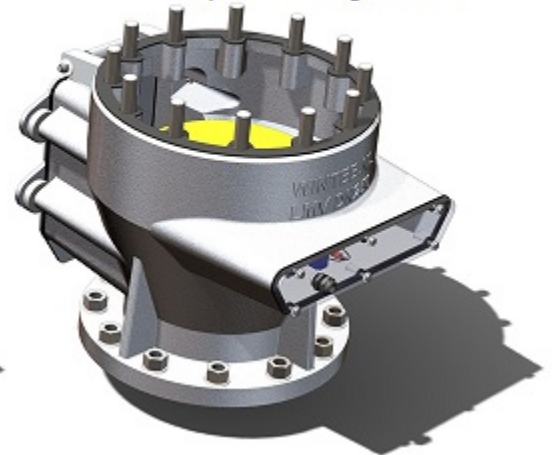


Photo 3: Heated LMV Valve in closed position, with exposed heating elements



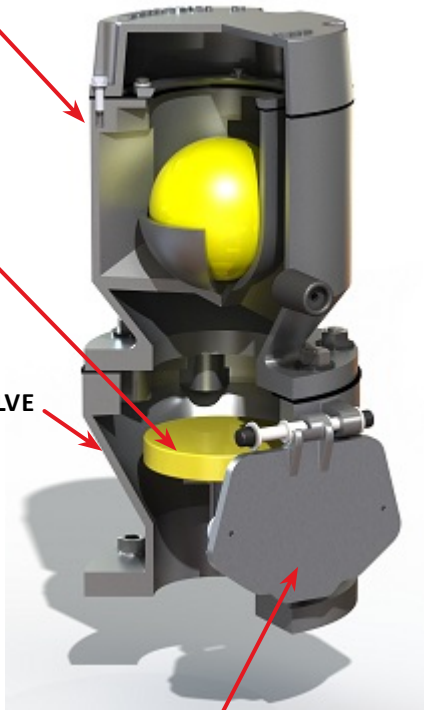
Made of seawater resistant Aluminium DIN1725 | Non corroding | Maintenance free | Smallest design available
No suction blocking | Cost saving | light weight = less fuel = less CO2 emission | Approved by all major classification societies

The world's largest producer of seawater resistant aluminium air pipe heads
Innovative and high quality products

**WIN2000
AIR VENT HEAD**

PE FLOAT DISC

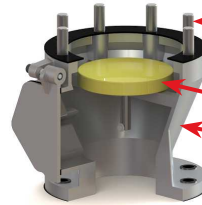
LIQUID MUD VALVE



MAGNETICALLY LOCKED SHUTTER

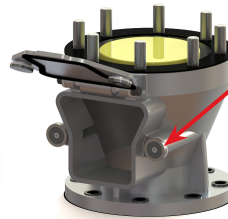
VALVE IN CLOSED POSITION

Flange connection ANSI150, DINPN10
Regular tank vent check valve to be fitted on top.
PE Float Disc
Seawater resistant aluminium casting



VALVE IN OPEN POSITION

Opening pressure adjustable by magnets.

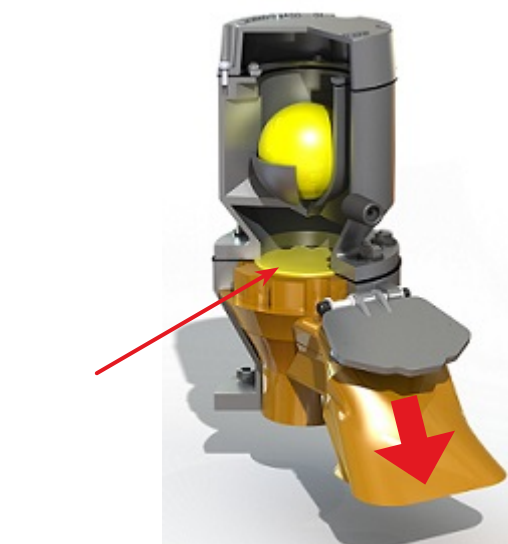


LMV	Surface Area Front Cover (mm ²)	Tensile Force (kg)	Pressure (bar)
DN125	12342.60	11	0.1
DN150	17871.98	32	0.2
DN200	32310.48	34	0.1
DN250	50430.48	38	0.1

On request, the opening pressure of the LMV can be adjusted conform client's requirements.



MUD BUILDS UP IN THE LOWER CHAMBER (LMV-VALVE) UNTIL IT IS ALMOST COMPLETELY FILLED...



...THE FLOATER SHUTS OFF THE AIR VENT FROM THE LMV. THE PRESSURE OF THE MUD WILL OPEN THE MAGNETICALLY LOCKED SHUTTER

Investing in Winteb Air Pipe Heads is beneficial in the long term, saving maintenance, replacement and costs.
For more information and a complete overview of our product range, please check www.winteb.com