

The world's largest producer of seawater resistant aluminium air pipe heads
Innovative and high quality products

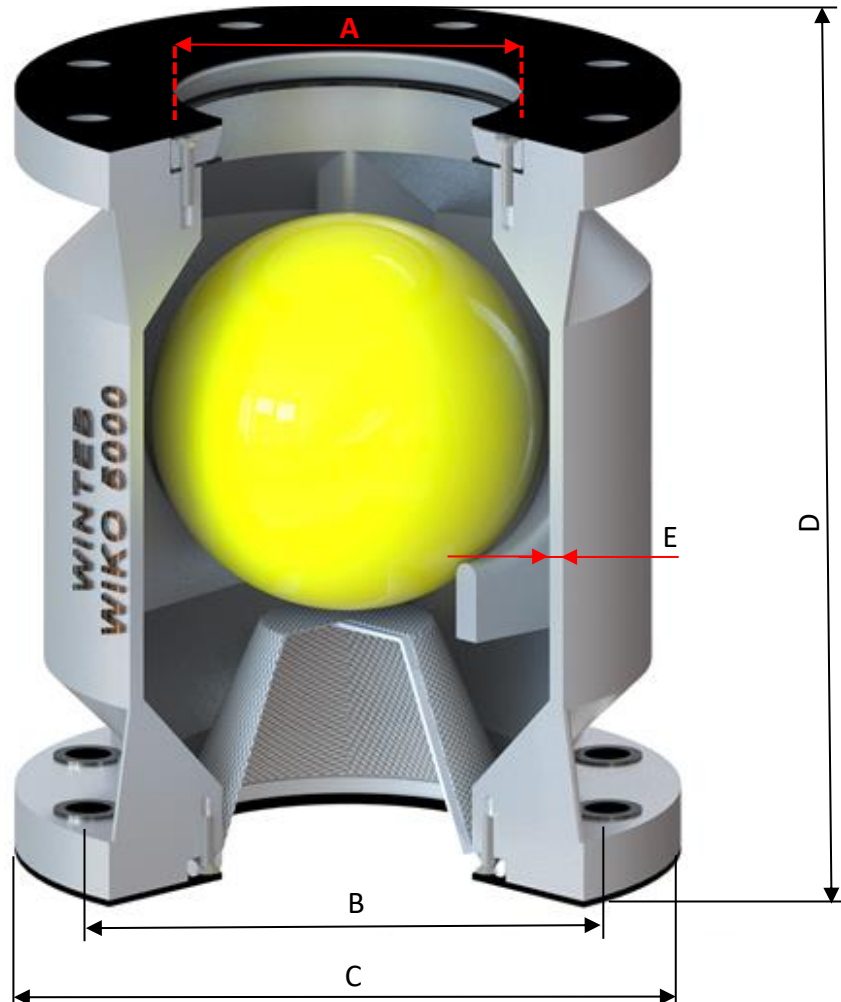
WIKO5000 GOOSENECK TYPE 1B WITH SCREEN

Options:

1. Screen
2. Powder coating

- HFO: Winteb strongly advises to use VITON Gaskets for HFO tanks & Bunker stations with temperatures exceeding +60°C

- Winteb advises to not use a screen on Ballast tanks unless required by class



	DN50 (2")	DN65 (2 1/2")	DN80 (3")	DN100 (4")	DN125 (5")	DN150 (6")	DN200 (8")	DN250 (10")	DN300 (12")	DN350 (14")	DN400 (16")
A (mm)	Ø50	Ø65	Ø80	Ø100	Ø125	Ø150	Ø200	Ø250	Ø300	Ø350	Ø400
B	Flange connections according to international standards										
C											
D (mm)	170	200	225	255	290	330	405	490	560	625	700
E (mm)	6.5	6.5	6.5	7.5	7.5	8.0	8.5	8.5	10.0	10.0	10.0
Ball diameter	Ø60	Ø90	Ø90	Ø120	Ø145	Ø170	Ø227	Ø280	Ø325	Ø350	Ø400
Weight kg.	4	4	7	7	8	13	22	31	47	64	83
Flow rate at 0,25 bar(m3/h)*	27	44	74	114	166	271	444	605	935	1250	1760
Max. inlet air speed (m/s)	16	17	22	22.5	22.5	22.5	14	22.5	20	24	22.5

*Please note that these values correspond with the WIKO5000 Gooseneck type 1B with screen mesh 18, flowrate is with water being pumped through the air pipe head.

- This information is not to be considered exhaustive. The content of this publication is of general and informative nature and is not meant as (technical) advice for product or usage purposes. No rights are to be derived from this information.

Made of seawater resistant Aluminium EN1706/DIN1725 | Non corroding | Maintenance free | Smallest design available
Cost saving | light weight = less fuel = less CO2 emission | Approved by all major classification societies

The world's largest producer of seawater resistant aluminium air pipe heads
Innovative and high quality products

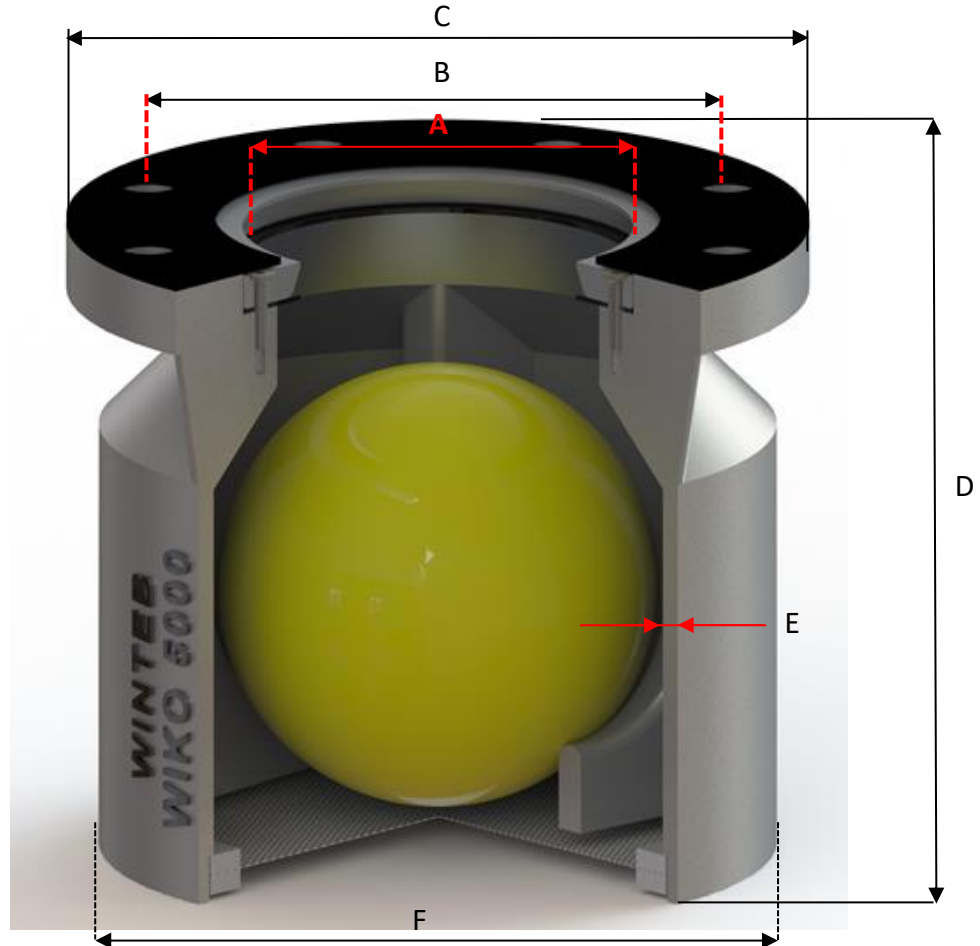
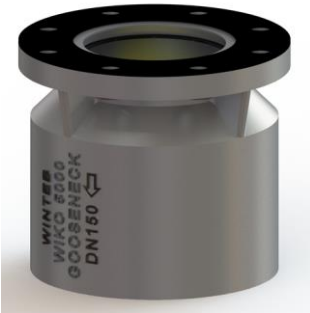
WIKO5000 GOOSENECK TYPE 1 WITH SCREEN

Options

1. Screen
2. Powder coating

- HFO: Winteb strongly advises to use VITON Gaskets for HFO tanks & Bunker stations with temperatures exceeding +60°C

- Winteb advises to not use a screen on Ballast tanks unless required by class



	DN50 (2")	DN65 (2 1/2")	DN80 (3")	DN100 (4")	DN125 (5")	DN150 (6")	DN200 (8")	DN250 (10")	DN300 (12")	DN350 (14")	DN400 (16")
A (mm)	Ø50	Ø65	Ø80	Ø100	Ø125	Ø150	Ø200	Ø250	Ø300	Ø350	Ø400
B	Flange connections according to international standards										
C											
D (mm)	115	140	160	185	215	245	310	375	430	485	540
E (mm)	6.5	6.5	6.5	7.5	7.5	8.0	8.5	8.5	10.0	10.0	10.0
F (mm)	110	135	160	190	225	260	335	415	495	555	630
Ball diameter (mm)	Ø60	Ø90	Ø90	Ø120	Ø145	Ø170	Ø227	Ø280	Ø325	Ø350	Ø400
Weight (kg)	2	2	3	4	5	7	16	23	36	53	66
Flow rate at 0,25 bar(m3/h)*	26.6	43.4	101.2	143.1	211	292.2	749.1	1280	1860	1510	2300
Max. inlet air speed (m/s)	16	17	22	22.5	22.5	22.5	14	22.5	20	24	22.5

*Please note that these values correspond with the WIKO5000 Gooseneck type 1 with screen mesh 18, flowrate is with water being pumped through the air pipe head

- This information is not to be considered exhaustive. The content of this publication is of general and informative nature and is not meant as (technical) advice for product or usage purposes. No rights are to be derived from this information.

Investing in Winteb Air Pipe Heads is beneficial in the long term, saving maintenance, replacement and costs.
For more information and a complete overview of our product range, please check www.winteb.com

Winteb B.V.
Parallelweg 1
9672 AW Winschoten
The Netherlands

Tel: +31 597 412252
Fax: +31 597 420494
Email: info@winteb.com
Website: www.winteb.com

Bank: ABN AMRO
Bank account: 211159689
IBAN: NL58ABNA0211159689
Bic: ABNANL2A

VAT: NL852308413B01
CC/KvK: 56801068

Versie 2020a