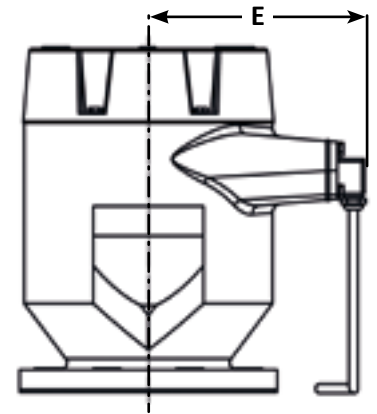
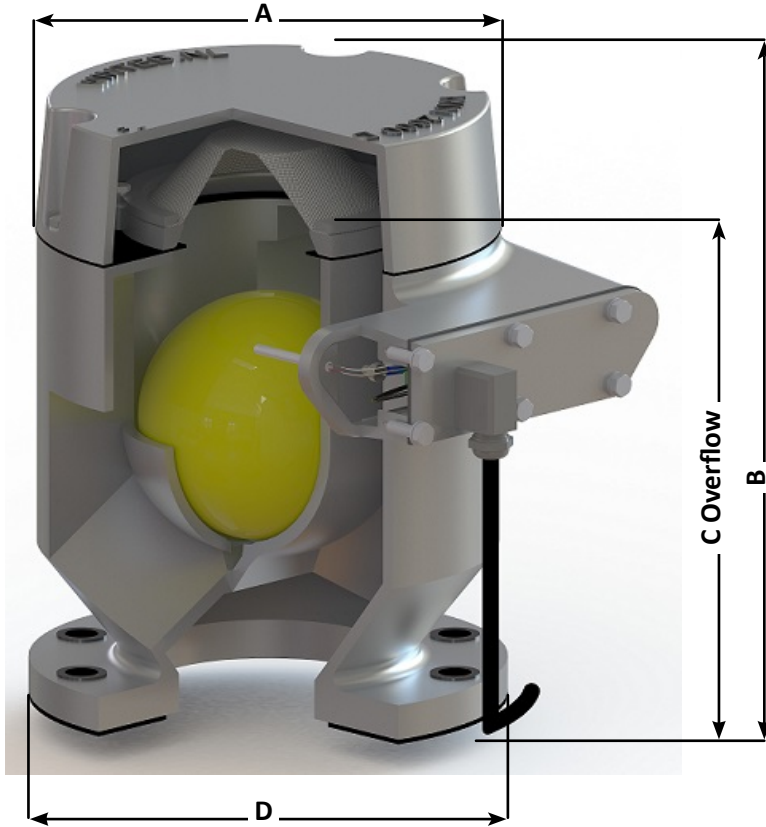


The world's largest producer of seawater resistant aluminium air pipe heads
Innovative and high quality products

WIN2000 HEATED AIR PIPE HEAD
Face the cold with Winteb's heated Air Pipe Heads



	DN50 (2")	DN65 (2 1/2")	DN80 (3")	DN100 (4")	DN125 (5")	DN150 (6")	DN175 (7")	DN200 (8")	DN250 (10")	DN300 (12")	DN350 (14")	DN400 (16")	DN450 (18")
A	Ø110	Ø130	Ø160	Ø195	Ø235	Ø275	Ø275	Ø340	Ø415	Ø562	Ø642	Ø722	Ø740
B ±2.5	169	203	235	272	321	380	380	481	595	774	840	945	1110
C Overflow (with screen)	147	180	194	238	270	323	323	395	495	620	705	737	925
D	Flange connection according to any standard												
E	145	165	180	189	204	229	229	271	311	388	428	478	528
Ball diameter	Ø60	Ø75	Ø90	Ø105	Ø130	Ø155	Ø155	Ø200	Ø250	Ø325	Ø360	Ø400	Ø480
Weight kg.	3.25	3.75	5	7.5	10	14.25	14.25	22.5	35	72	95	119	140
Power (w)	125	125	125	250	250	250	250	400	400	800	900	1000	1130
Flow rate at 0,25 bar (m3/h)*	19	28	46	73	114	182	210	325	469	850	1025	1300	1490
Flow rate at 0,25 bar (m3/h)**	18	25	42	68	101	169	195	279	443	805	925	1175	1375
Max. inlet air speed (m/s)	17	17.5	38	58	59	42	42	27	15	39	36	27	34
Inlet air flow rate at max. inlet air speed (m3/h)	135	209	612	1620	2590	2700	2700	3060	2700	9900	12240	12060	19080

* Please note that these values correspond with the WIN2000 HIAS without screen, flowrate is with water being pumped through the air pipe head.

** Please note that these values DN correspond with the WIN2000 HIAS with screen mesh 18, flowrate is with water being pumped through the air pipe head.

Made of seawater resistant Aluminium DIN1725 | Non corroding | Maintenance free | Smallest design available
No suction blocking | Cost saving | light weight = less fuel = less CO2 emission | Approved by all major classification societies

